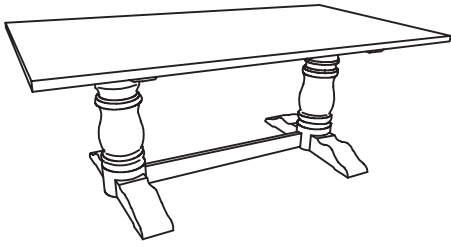


ASSEMBLY INSTRUCTIONS

Item No: P 836-10

Description: PEDESTAL DINING TABLE

IMPORTANT NOTE

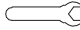




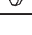




- Place all wooden parts on a clean and smooth surface such as a rug or carpet to avoid the parts from being scratched.
- Check to be sure that you have all parts and hardware.
- Remove all wrapping materials, including staples & packing straps before you start to assemble.
- Do not tighten all screws/bolts until all completely assembled.
- Keep all hardware parts out of reach of children.

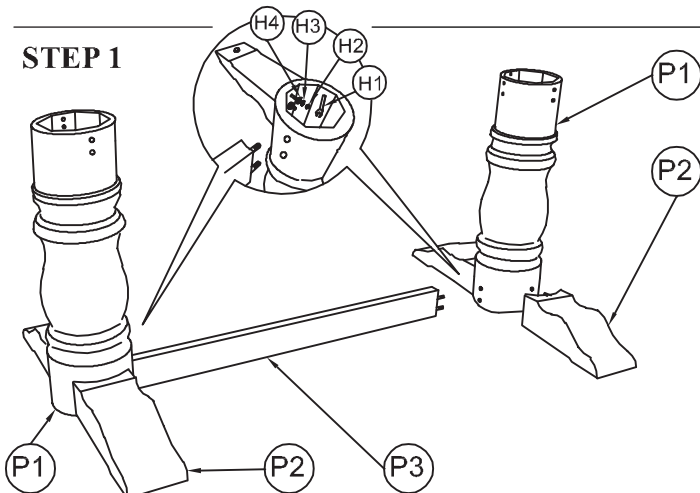
PARTS LIST (FOR 1 NOS. OF TABLE)

NO.	COMPONENT	QTY.
P1	PEDESTAL LEGS	2
P2	LEG PRONGS	4
P3	BOTTOM STRETCHER	1
P4	TOP RAIL	1
P5	MOUNTING BAR	4
P6	TABLE TOP	1

HARDWARE LIST (FOR 1 NOS. OF TABLE)

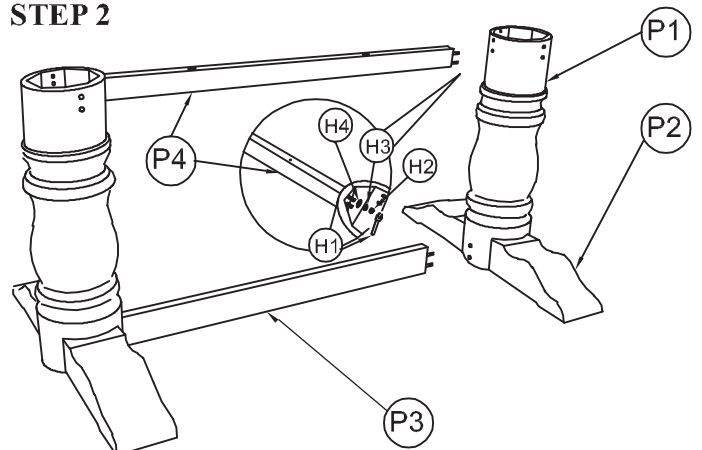
NO.	DESCRIPTION	QTY.
H1	WRENCH 	1
H2	HEX NUT 	24
H3	M8 SPRING WASHER 	24
H4	M8 FLAT WASHER 	24
H5	ALLEN KEY 	1
H6	JCBC M6 X 70mm 	2
H7	M6 SPRING WASHER 	2
H8	SCREW M4 X 32mm 	8

STEP 1

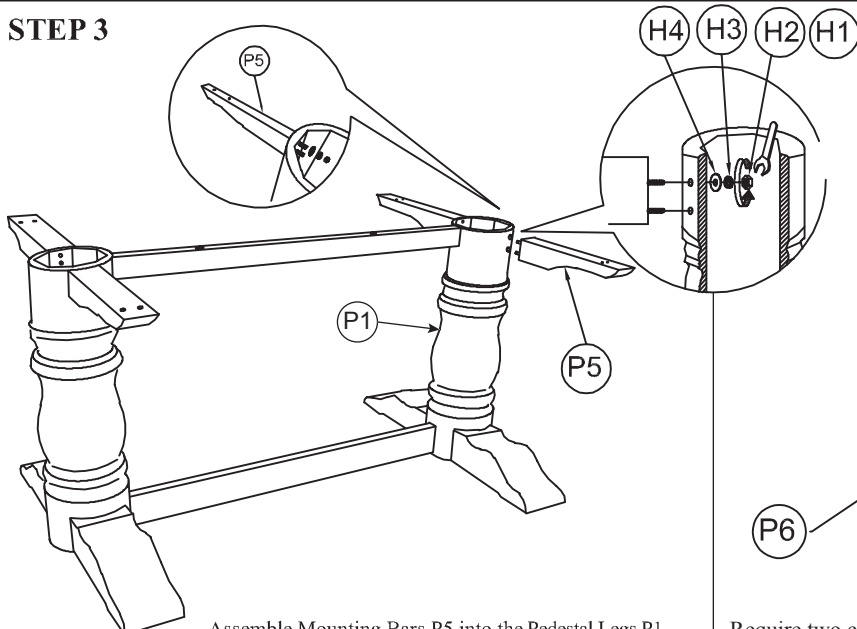


Assemble leg prongs P2 to both Pedestal Legs P1, then align Bottom Stretcher P3 and Top Rail P4 to connect both Pedestal Legs.

STEP 2

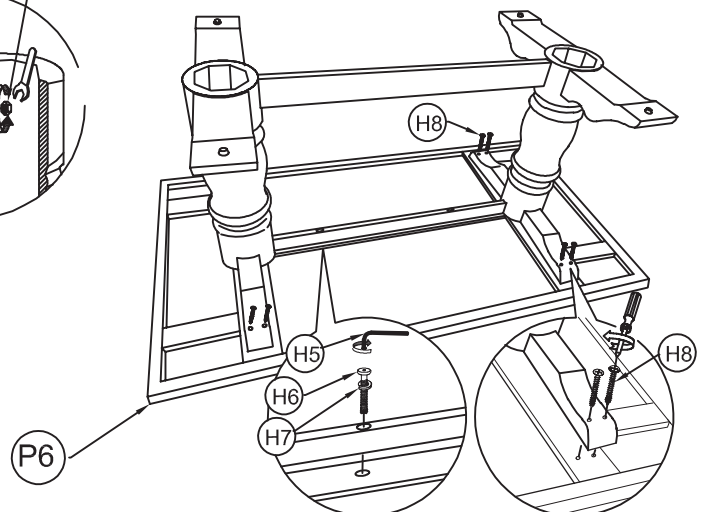


STEP 3



Assemble Mounting Bars P5 into the Pedestal Legs P1.

STEP 4



Require two capable persons to put the table upright after finished assembly.